

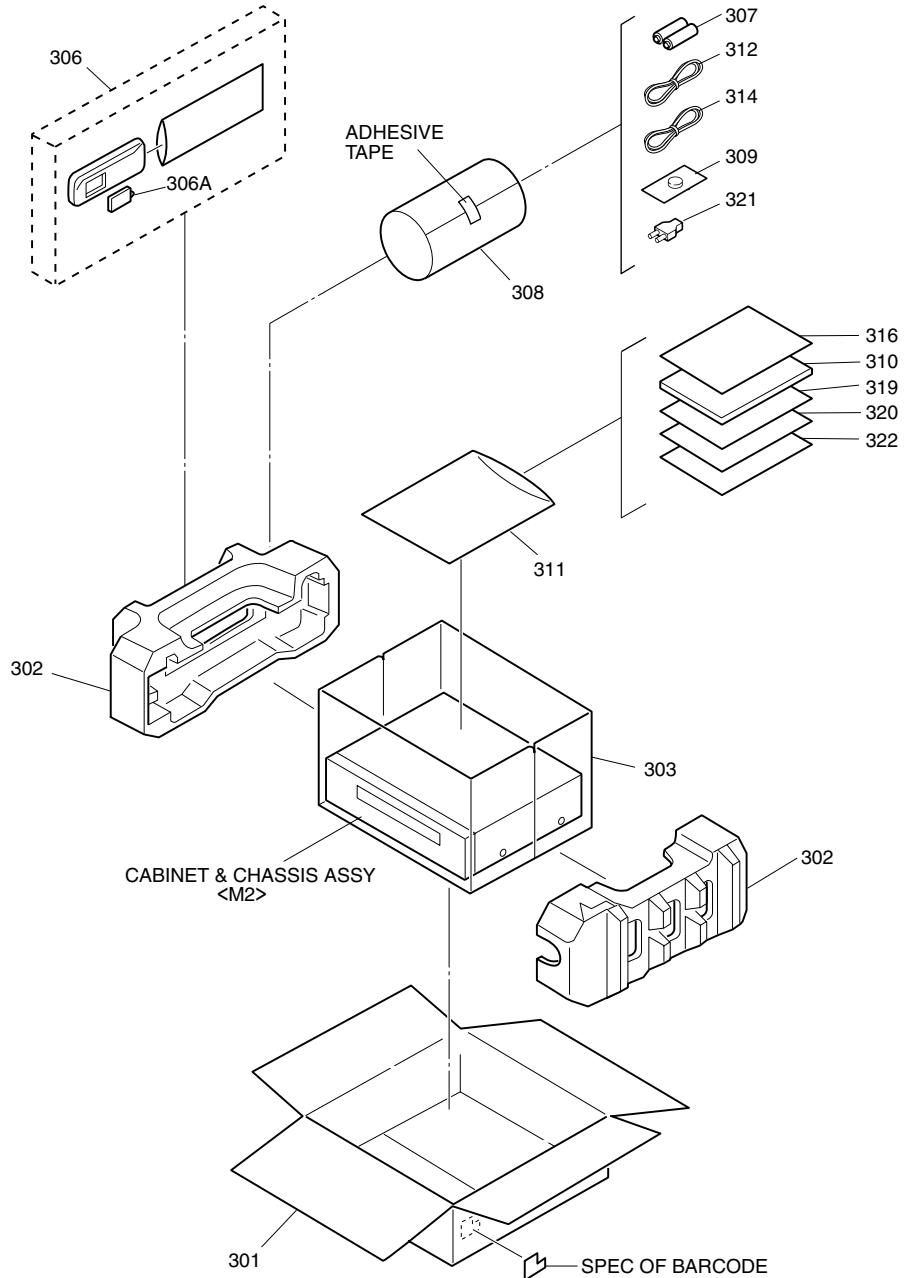
# SECTION 5 PARTS LIST

## SAFETY PRECAUTION

Parts identified by the  $\triangle$  symbol are critical for safety. Replace only with specified part numbers.

### 5.1 PACKING AND ACCESSORY ASSEMBLY <M1>

The instruction manual to be provided with this product will differ according to the destination.

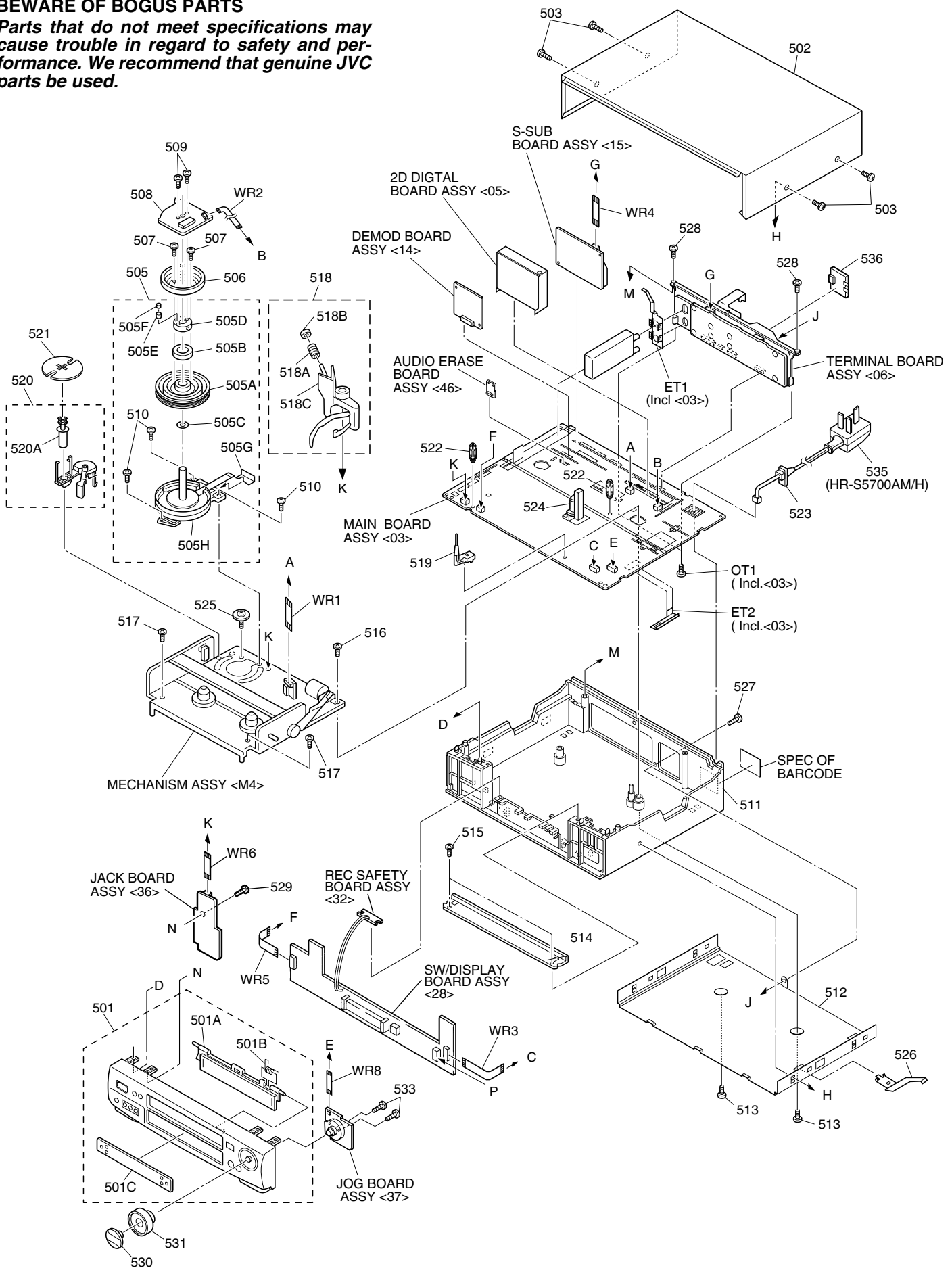


# $\triangle$	REF No.	PART No.	PART NAME, DESCRIPTION	# $\triangle$	REF No.	PART No.	PART NAME, DESCRIPTION
*****							
<b>PACKING AND ACCESSORY ASSEMBLY &lt;M1&gt;</b>							
	301	LP30772-001A	PACKING CASE,S5700AM		308	QPC02202230P	POLY BAG
		LP30772-002A	PACKING CASE,S5700AMEA	$\triangle$	309	PECA0903	LI BATTERY
		LP30774-004A	PACKING CASE,S5700AM/H,AM/S	$\triangle$	310	LPT0317-001A	INST.BOOK(EN,CH)
	302	LP30606-002C	CUSHION ASSY	$\triangle$	310	LPT0318-001A	INST.BOOK(CH),S5700AM/S
	303	PQM30021-95	POLY BAG		311	QPC02503530P	POLY BAG
	306	LP20878-008A	REMOTE CONTROLLER		312	PEAC0348-02	RF CABLE
	306A	LP40610-002A	COVER(BATTERY)		314	QAM0246-002	S CABLE
	307	-	BATTERY,X2("AA"TYPE)		316	BT-56001-2	WARRANTY CARD,S5700AMEA
					319	LP40437-001A	LABEL(S-VHS ET)
					320	LP40605-001A	SHEET
				$\triangle$	321	PEMC1012	CONVERSION PLUG,S5700AM/S
					322	BT-56002-2	SERVICE NET CARD,S5700AMEA

## 5.2 CABINET AND CHASSIS ASSEMBLY <M2>

### BEWARE OF BOGUS PARTS

*Parts that do not meet specifications may cause trouble in regard to safety and performance. We recommend that genuine JVC parts be used.*



#  $\Delta$  REF No. PART No. PART NAME, DESCRIPTION  
 \*\*\*\*\*

**CABINET AND CHASSIS ASSEMBLY <M2>**

$\Delta$	501	LP10217-040C	FRONT PANEL ASSY,S5700AM,AMEA
$\Delta$		LP10217-041C	FRONT PANEL ASSY,S5700AM/H,AM/S
	501A	LP20342-037A	CASSETTE DOOR
	501B	PQ46448	TORSION SPRING
	501C	LP30531-034A	DISPLAY WINDOW
$\Delta$	502	PQ11676-101	TOP COVER
	503	QYTDSF3010R	SCREW,X4 TOP COVER(SIDE)
	505	LP20617-011A	DRUM SUB ASSY
	505A	LP20616-005A	UPPER DRUM ASSY
	505B	PDM4439	CAP
	505C	PDM4444-19-2	WASHER
	505D	LP40572-001A	COLLAR ASSY
	505E	LP40323-001A	CONTACT
	505F	LP30004-014A	COMPRESION SPRING
	505G	LP40174-001B	FPC PLATE
	505H	LP20615-002A	LOWER DRUM ASSY
	506	PDZ0179-1-4	ROTOR ASSY
	507	QYSPSP3006Z	SCREW,X2
$\Delta$	508	QAR0119-001	STATOR ASSY
	509	QYSPSPH2606Z	SCREW,X2
	510	QYTDST2610Z	SCREW,X3 DRUM
$\Delta$	511	LP10116-003J	BOTTOM CHASSIS
$\Delta$	512	PQ11668-2-12	BOTTOM COVER
	513	QYTDSF3010Z	SCREW,X2 B.COVER
	514	LP30312-001B	BRACKET(CHASSIS)
	515	QYTDSF3010Z	SCREW,X2
	516	QYTDSF4012Z	SCREW,MECHA
	517	QYTDSF3010Z	SCREW,X2 MECHA
	518	LP40369-001D	CLEANER ASSY
	518A	PQ46418-1-2	CLEANER ROLLER
	518B	PQ46419-1-2	CLEANER
	518C	LP30407-001D	CLEANER ARM
	519	LP40407-001A	KNOB ASSY
	520	LP40370-001E	ROLLER ARM ASSY
	520A	PDM4311A-1	ROLLER ASSY
	521	PQ45160	INERTIA PLATE
	522	LP40226-001A	PC SUPPORT
$\Delta$	523	QMP4A10-170	POWER CORD,S5700AM
$\Delta$		QMP2990-220	POWER CORD,S5700AMEA
$\Delta$		QMPK110-170-JC	POWER CORD,S5700AM/H
$\Delta$		QMP73J0-170	POWER CORD,S5700AM/S
	524	LP40253-001B	STOPPER
	525	PQ40413	SPECIAL SCREW,MECHA
	526	LP40659-001A	EARTH PLATE(2)
	527	QYTDSF3010M	SCREW,TERMINAL
	528	QYTSPFG3010Z	SCREW,,X2 TERMINAL
	529	QYTDSF3010Z	SCREW,S JACK
	530	LP30694-001A	KNOB(PLAY)/(JOG)
	531	LP30695-001A	KNOB(SHUTTLE)
	533	QYTDSF2608Z	SCREW,X2 JOG/SHUTTLE
$\Delta$	535	QAM0001-001	CONVERSION PLUG,S5700AM/H
	536	LP30336-001A	CAP,LT.BATTERY
	WR1	QUQ112-0720CG	FFC WIRE,A/C HEAD CN2001
	WR2	QUQ212-0518CG	FFC WIRE,DRUM CN3001
	WR3	QUQ112-1414CG	FFC WIRE,DISPLAY CN3011
	WR4	QUQ112-1407CG	FFC WIRE,TERMINAL CN512
	WR5	QUQ212-0516CG	FFC WIRE,JACK CN902
	WR6	QUQ212-0416CG	FFC WIRE,S(FSA) CN901
	WR8	QUQ112-0616CG	FFC WIRE,JOG(FSA) CN3012

#  $\Delta$  REF No. PART No. PART NAME, DESCRIPTION

### 5.3 ELECTRICAL PARTS LIST

#	△ REF No.	PART No.	PART NAME, DESCRIPTION
*****			
<b>MAIN BOARD ASSEMBLY &lt;03&gt;</b>			
PW1		LPA10106-20B1	MAIN BOARD ASSY
IC1		JCP8020-MSD-2	IC
IC3001		HD6432192A76F	IC(MCU)
IC3002		S-80727AN-DQ-X	IC
		or S-80827ANUP-W	IC
		or R3111H271A	IC
IC3003		AT24C08-10PC	IC
		or BR24C08	IC
		or 24LC08B/P	IC
IC3004		BA6956AN	IC
IC3601		BU2090FS	IC
IC3651		BU2090FS	IC
IC5101		STR-G6551	IC
IC5301		LA5644	IC
Q1		2SC4081/S/-X	TRANSISTOR
Q2		2SC4081/S/-X	TRANSISTOR
Q3		2SC4081/S/-X	TRANSISTOR
Q4		2SC4081/S/-X	TRANSISTOR
Q5		2SB1218A/QR/-X	TRANSISTOR
		or 2PA1576/R/-X	TRANSISTOR
		or 2SA1576A/QR/-X	TRANSISTOR
Q7		2SD1819A/QRS/-X	TRANSISTOR
		or 2SC4081/QRS/-X	TRANSISTOR
		or 2PC4081/R/-X	TRANSISTOR
Q8		2SD1819A/QRS/-X	TRANSISTOR
		or 2PC4081/R/-X	TRANSISTOR
		or 2SC4081/QRS/-X	TRANSISTOR
Q9		2SB1218A/QR/-X	TRANSISTOR
		or 2SA1576A/QR/-X	TRANSISTOR
		or 2PA1576/R/-X	TRANSISTOR
Q10		2SB1218A/QR/-X	TRANSISTOR
		or 2PA1576/R/-X	TRANSISTOR
		or 2SA1576A/QR/-X	TRANSISTOR
Q11		DTC144WU	TRANSISTOR
		or PDTC144WU	TRANSISTOR
		or RN1309	TRANSISTOR
		or UN521E	TRANSISTOR
Q12		2SB1218A/QR/-X	TRANSISTOR
		or 2SA1576A/QR/-X	TRANSISTOR
		or 2PA1576/R/-X	TRANSISTOR
Q17		DTC144WU	TRANSISTOR
		or PDTC144WU	TRANSISTOR
		or RN1309	TRANSISTOR
		or UN521E	TRANSISTOR
Q18		2SB1218A/QR/-X	TRANSISTOR
		or 2SA1576A/QR/-X	TRANSISTOR
		or 2PA1576/R/-X	TRANSISTOR
Q21		2SB1218A/QR/-X	TRANSISTOR
		or 2PA1576/R/-X	TRANSISTOR
		or 2SA1576A/QR/-X	TRANSISTOR
Q24		2SB1218A/QR/-X	TRANSISTOR
		or 2SA1576A/QR/-X	TRANSISTOR
		or 2PA1576/R/-X	TRANSISTOR
Q26		DTC144WU	TRANSISTOR
		or PDTC144WU	TRANSISTOR
		or RN1309	TRANSISTOR
		or UN521E	TRANSISTOR

#	△ REF No.	PART No.	PART NAME, DESCRIPTION
Q38		2SD1819A/QRS/-X	TRANSISTOR
		or 2SC4081/QRS/-X	TRANSISTOR
		or 2PC4081/R/-X	TRANSISTOR
Q39		DTC144WU	TRANSISTOR
		or PDTC144WU	TRANSISTOR
		or RN1309	TRANSISTOR
		or UN521E	TRANSISTOR
Q40		DTC144WU	TRANSISTOR
		or PDTC144WU	TRANSISTOR
		or RN1309	TRANSISTOR
		or UN521E	TRANSISTOR
Q41		DTC144WU	TRANSISTOR
		or PDTC144WU	TRANSISTOR
		or RN1309	TRANSISTOR
		or UN521E	TRANSISTOR
Q2001		2SC4081/QRS/-X	TRANSISTOR
		or 2PC4081/R/-X	TRANSISTOR
		or 2SD1819A/QRS/-X	TRANSISTOR
Q2002		2SC4081/QRS/-X	TRANSISTOR
		or 2SD1819A/QRS/-X	TRANSISTOR
		or 2PC4081/R/-X	TRANSISTOR
Q2003		DTA144WU	TRANSISTOR
		or PDTA144WU	TRANSISTOR
		or RN2309	TRANSISTOR
		or UN511E	TRANSISTOR
Q2004		DTC144WU	TRANSISTOR
		or PDTC144WU	TRANSISTOR
		or RN1309	TRANSISTOR
		or UN521E	TRANSISTOR
Q2052		2SA1576A/QR/-X	TRANSISTOR
		or 2SB1218A/QR/-X	TRANSISTOR
		or 2PA1576/R/-X	TRANSISTOR
Q2053		DTC144WU	TRANSISTOR
		or PDTC144WU	TRANSISTOR
		or RN1309	TRANSISTOR
		or UN521E	TRANSISTOR
Q2054		2SA1576A/QR/-X	TRANSISTOR
		or 2PA1576/R/-X	TRANSISTOR
		or 2SB1218A/QR/-X	TRANSISTOR
Q2061		2SC4081/QRS/-X	TRANSISTOR
		or 2SD1819A/QRS/-X	TRANSISTOR
		or 2PC4081/R/-X	TRANSISTOR
Q2062		2SA1576A/QR/-X	TRANSISTOR
		or 2PA1576/R/-X	TRANSISTOR
		or 2SB1218A/QR/-X	TRANSISTOR
Q2251		DTA144WU	TRANSISTOR
		or PDTA144WU	TRANSISTOR
		or RN2309	TRANSISTOR
		or UN511E	TRANSISTOR
Q2252		DTC114EU	TRANSISTOR
		or PDTC114EU	TRANSISTOR
		or RN1302	TRANSISTOR
		or UN5211	TRANSISTOR
Q3001		2SD1819A/QRS/-X	TRANSISTOR
		or 2SC4081/QRS/-X	TRANSISTOR
		or 2PC4081/R/-X	TRANSISTOR
Q3002		PTZ-NV16	PHOTO TRANSISTOR
		or PTZ-NV16A	PHOTO TRANSISTOR
Q3003		PTZ-NV16	PHOTO TRANSISTOR
		or PTZ-NV16A	PHOTO TRANSISTOR
Q3004		2SD1819A/QRS/-X	TRANSISTOR

#	△	REF No.	PART No.	PART NAME, DESCRIPTION		#	△	REF No.	PART No.	PART NAME, DESCRIPTION	
			or 2SC4081/QRS/-X	TRANSISTOR					or SB640FCT	SB DIODE	
			or 2PC4081/R/-X	TRANSISTOR					or SF5SC4	SB DIODE	
		Q3005	2SD1819A/QRS/-X	TRANSISTOR		D5210		AU01Z	FR DIODE		
			or 2PC4081/R/-X	TRANSISTOR				or ERA18-02-T2	FR DIODE		
			or 2SC4081/QRS/-X	TRANSISTOR				or 1SR153-400-T2	FR DIODE		
		Q4001	UN5211	TRANSISTOR				or 10ELS2	FR DIODE		
			or RN1302	TRANSISTOR				or PG104RS	FR DIODE		
			or PDTC114EU	TRANSISTOR		D5211		AU01Z	FR DIODE		
			or DTC114EU	TRANSISTOR				or ERA18-02-T2	FR DIODE		
△		Q5303	2SD2144S/UVW/-T	TRANSISTOR				or 1SR153-400-T2	FR DIODE		
		Q6030	2SB1218A/QR/-X	TRANSISTOR				or 10ELS2	FR DIODE		
			or 2SA1576A/QR/-X	TRANSISTOR				or PG104RS	FR DIODE		
			or 2PA1576/R/-X	TRANSISTOR		D5301		MTZJ15A	ZENER DIODE		
		Q6032	DTC114EU	TRANSISTOR				or RD15ES/B1/-T2	ZENER DIODE		
			or PDTC114EU	TRANSISTOR		D5302		MTZJ6.8A	ZENER DIODE		
			or UN5211	TRANSISTOR				or RD6.8ES/B1/-T2	ZENER DIODE		
			or RN1302	TRANSISTOR		D5303		MTZJ27C	ZENER DIODE		
		D3	NRSA02J-0R0X	MG RESISTOR	0Ω,1/10W			or RD27ES/B3/-T2	ZENER DIODE		
		D6	MTZJ5.1C	ZENER DIODE		D5304		1SS133	DIODE		
		D2001	1SS355	DIODE				or 1SS270A	DIODE		
		D2121	MTZJ8.2C	ZENER DIODE		D5306		MTZJ12A	ZENER DIODE		
		D2201	11ES2	DIODE				or RD12ES/B1/-T2	ZENER DIODE		
			or 1A3G	DIODE		D6002		HZ30-2L-T2	ZENER DIODE		
		D3001	LNB2301L01VI	LE DIODE				or HZ30-2LTD	Z DIODE (M)		
		D3002	1SS133	DIODE		R1		NRSA02J-682X	MG RESISTOR	6.8kΩ,1/10W	
		D3003	RD39ES/B3/-T2	ZENER DIODE		R2		NRSA02J-152X	MG RESISTOR	1.5kΩ,1/10W	
			or MTZJ39C	ZENER DIODE		R4		NRSA02J-0R0X	MG RESISTOR	0Ω,1/10W	
		D3004	11E2-T5	DIODE		R5		NRSA02J-0R0X	MG RESISTOR	0Ω,1/10W	
		D3005	11E2-T5	DIODE		R6		NRSA02J-273X	MG RESISTOR	27kΩ,1/10W	
△		D3006	RB721Q-40-T2	SB DIODE		R7		NRSA02J-681X	MG RESISTOR	680Ω,1/10W	
		D3007	NRSA02J-0R0X	MG RESISTOR	0Ω,1/10W	R8		NRSA02J-0R0X	MG RESISTOR	0Ω,1/10W	
		D3011	1SS133	DIODE		R9		NRSA02J-0R0X	MG RESISTOR	0Ω,1/10W	
		D3012	1SS133	DIODE		R21		NRSA02J-222X	MG RESISTOR	2.2kΩ,1/10W	
		D4001	1SS355	DIODE		R22		NRSA02J-222X	MG RESISTOR	2.2kΩ,1/10W	
		D4002	1SS355	DIODE		R23		NRSA02J-182X	MG RESISTOR	1.8kΩ,1/10W	
		D5001	S1WB/A/60-4102	BRIDGE DIODE		R24		NRSA02J-331X	MG RESISTOR	330Ω,1/10W	
			or S1WB(A)60F4072X	BRIDGE DIODE		R25		NRSA02J-103X	MG RESISTOR	10kΩ,1/10W	
			or S1WB/A/60-X	BRIDGE DIODE		R26		NRSA02J-682X	MG RESISTOR	6.8kΩ,1/10W	
		D5101	AU01	FR DIODE		R27		NRSA02J-221X	MG RESISTOR	220Ω,1/10W	
			or 1SR153-400-T2	FR DIODE		R28		NRSA02J-221X	MG RESISTOR	220Ω,1/10W	
			or 10ELS4	FR DIODE		R29		NRSA02J-681X	MG RESISTOR	680Ω,1/10W	
			or ERA18-04-T2	FR DIODE		R30		NRSA02J-0R0X	MG RESISTOR	0Ω,1/10W	
		D5102	AU01	FR DIODE		R31		NRSA02J-152X	MG RESISTOR	1.5kΩ,1/10W	
			or ERA18-04-T2	FR DIODE		R32		NRSA02J-471X	MG RESISTOR	470Ω,1/10W	
			or 10ELS4	FR DIODE		R33		NDC21HJ-8R0X	CAPACITOR	8pF,50V	
			or 1SR153-400-T2	FR DIODE		R34		NDC21HJ-390X	CAPACITOR	39pF,50V	
		D5103	AU01Z	FR DIODE		R36		NRSA02J-182X	MG RESISTOR	1.8kΩ,1/10W	
			or ERA18-02-T2	FR DIODE		R38		NRSA02J-102X	MG RESISTOR	1kΩ,1/10W	
			or PG104RS	FR DIODE		R39		NRSA02J-102X	MG RESISTOR	1kΩ,1/10W	
			or 1SR153-400-T2	FR DIODE		R40		NRSA02J-392X	MG RESISTOR	3.9kΩ,1/10W	
			or 10ELS2	FR DIODE		R41		NRSA02J-222X	MG RESISTOR	2.2kΩ,1/10W	
		D5201	AK04	DIODE		R42		NRSA02J-152X	MG RESISTOR	1.5kΩ,1/10W	
			or 1S4	SB DIODE		R43		NRSA02J-222X	MG RESISTOR	2.2kΩ,1/10W	
			or 11EQS04	SB DIODE		R44		NRSA02J-392X	MG RESISTOR	3.9kΩ,1/10W	
		D5202	FML-12S	FR DIODE		R46		NRSA02J-331X	MG RESISTOR	330Ω,1/10W	
			or YG901C2	FR DIODE		R48		NRSA02J-102X	MG RESISTOR	1kΩ,1/10W	
			or FCF06A20	FR DIODE		R51		NRSA02J-122X	MG RESISTOR	1.2kΩ,1/10W	
			or SF5LC20U	FR DIODE		R54		NRSA02J-152X	MG RESISTOR	1.5kΩ,1/10W	
			or ER602FCT	FR DIODE		R62		NRSA02J-101X	MG RESISTOR	100Ω,1/10W	
		D5206	FMB-24	BARRIER DIODE		R68		NRSA02J-222X	MG RESISTOR	2.2kΩ,1/10W	
			or FSQ05A04B	SB DIODE		R69		NRSA02J-0R0X	MG RESISTOR	0Ω,1/10W	
			or YG801C04	SB DIODE							

#	△ REF No.	PART No.	PART NAME, DESCRIPTION	#	△ REF No.	PART No.	PART NAME, DESCRIPTION
R70		NRSA02J-0R0X	MG RESISTOR 0Ω,1/10W	R3011		QRE141J-0R0Y	RESISTOR 0Ω,1/4W
R73		NRSA02J-332X	MG RESISTOR 3.3kΩ,1/10W	R3012		NRSA02J-0R0X	MG RESISTOR 0Ω,1/10W
R77		NRSA02J-103X	MG RESISTOR 10kΩ,1/10W	R3013		NRSA02J-0R0X	MG RESISTOR 0Ω,1/10W
R81		NRSA02J-472X	MG RESISTOR 4.7kΩ,1/10W	R3016		QRE141J-0R0Y	RESISTOR 0Ω,1/4W
R88		NRSA02J-0R0X	MG RESISTOR 0Ω,1/10W	R3017		QRE141J-0R0Y	RESISTOR 0Ω,1/4W
R90		NRSA02J-391X	MG RESISTOR 390Ω,1/10W	R3018		QRE141J-682Y	RESISTOR 6.8kΩ,1/4W
R92		NRSA02J-152X	MG RESISTOR 1.5kΩ,1/10W	R3019		QRE141J-0R0Y	RESISTOR 0Ω,1/4W
R93		NRSA02J-222X	MG RESISTOR 2.2kΩ,1/10W	R3022		NRSA02J-0R0X	MG RESISTOR 0Ω,1/10W
R104		NRSA02J-682X	MG RESISTOR 6.8kΩ,1/10W	R3025		NRSA02J-0R0X	MG RESISTOR 0Ω,1/10W
R113		NRSA02J-101X	MG RESISTOR 100Ω,1/10W	R3026		NRSA02J-0R0X	MG RESISTOR 0Ω,1/10W
R114		NRSA02J-0R0X	MG RESISTOR 0Ω,1/10W	R3027		NRSA02J-0R0X	MG RESISTOR 0Ω,1/10W
R2001		NRSA02J-681X	MG RESISTOR 680Ω,1/10W	R3029		NRSA02J-472X	MG RESISTOR 4.7kΩ,1/10W
R2002		NRSA02J-272X	MG RESISTOR 2.7kΩ,1/10W	R3030		NRSA02J-472X	MG RESISTOR 4.7kΩ,1/10W
R2003		QRE141J-101Y	RESISTOR 100Ω,1/4W	R3031		NRSA02J-0R0X	MG RESISTOR 0Ω,1/10W
R2005		QRE141J-0R0Y	RESISTOR 0Ω,1/4W	R3032		NRSA02J-0R0X	MG RESISTOR 0Ω,1/10W
R2006		QRE141J-393Y	RESISTOR 39kΩ,1/4W	R3038		NRSA02J-152X	MG RESISTOR 1.5kΩ,1/10W
R2007		NRSA02J-393X	MG RESISTOR 39kΩ,1/10W	R3040		NRSA02J-0R0X	MG RESISTOR 0Ω,1/10W
R2008		NRSA02J-123X	MG RESISTOR 12kΩ,1/10W	R3041		NRSA02J-472X	MG RESISTOR 4.7kΩ,1/10W
R2009		NRSA02J-123X	MG RESISTOR 12kΩ,1/10W	R3042		NRSA02J-0R0X	MG RESISTOR 0Ω,1/10W
R2010		NRSA02J-123X	MG RESISTOR 12kΩ,1/10W	R3044		QRE141J-0R0Y	RESISTOR 0Ω,1/4W
R2011		NRSA02J-103X	MG RESISTOR 10kΩ,1/10W	R3046		QRE141J-102Y	RESISTOR 1kΩ,1/4W
R2012		NRSA02J-153X	MG RESISTOR 15kΩ,1/10W	R3047		QRE141J-102Y	RESISTOR 1kΩ,1/4W
R2013		NRSA02J-682X	MG RESISTOR 6.8kΩ,1/10W	R3048		QRE141J-102Y	RESISTOR 1kΩ,1/4W
R2014		NRSA02J-224X	MG RESISTOR 220kΩ,1/10W	R3049		NRSA02J-331X	MG RESISTOR 330Ω,1/10W
R2015		NRSA02J-181X	MG RESISTOR 180Ω,1/10W	R3050		NRSA02J-331X	MG RESISTOR 330Ω,1/10W
R2016		NRSA02J-393X	MG RESISTOR 39kΩ,1/10W	R3051		NRSA02J-471X	MG RESISTOR 470Ω,1/10W
R2017		NRSA02J-183X	MG RESISTOR 18kΩ,1/10W	R3052		NRSA02J-471X	MG RESISTOR 470Ω,1/10W
R2018		NRSA02J-472X	MG RESISTOR 4.7kΩ,1/10W	R3053		NRSA02J-471X	MG RESISTOR 470Ω,1/10W
R2019		NRSA02J-472X	MG RESISTOR 4.7kΩ,1/10W	R3054		NRSA02J-0R0X	MG RESISTOR 0Ω,1/10W
R2020		NRSA02J-102X	MG RESISTOR 1kΩ,1/10W	R3055		NRSA02J-0R0X	MG RESISTOR 0Ω,1/10W
R2053		NRSA02J-472X	MG RESISTOR 4.7kΩ,1/10W	R3056		NRSA02J-102X	MG RESISTOR 1kΩ,1/10W
R2056		NRSA02J-101X	MG RESISTOR 100Ω,1/10W	R3057		NRSA02J-102X	MG RESISTOR 1kΩ,1/10W
R2057		NRSA02J-473X	MG RESISTOR 47kΩ,1/10W	R3058		NRSA02J-102X	MG RESISTOR 1kΩ,1/10W
R2058		NRSA02J-183X	MG RESISTOR 18kΩ,1/10W	R3059		NRSA02J-0R0X	MG RESISTOR 0Ω,1/10W
R2059		NRSA02J-473X	MG RESISTOR 47kΩ,1/10W	R3060		NRSA02J-471X	MG RESISTOR 470Ω,1/10W
R2060		NRSA02J-183X	MG RESISTOR 18kΩ,1/10W	R3061		NRSA02J-471X	MG RESISTOR 470Ω,1/10W
R2061		NRSA02J-273X	MG RESISTOR 27kΩ,1/10W	R3062		NRSA02J-0R0X	MG RESISTOR 0Ω,1/10W
R2062		NRSA02J-3R3X	MG RESISTOR 3.3Ω,1/10W	R3063		NRSA02J-0R0X	MG RESISTOR 0Ω,1/10W
R2063		NRSA02J-151X	MG RESISTOR 150Ω,1/10W	R3066		NRSA02J-472X	MG RESISTOR 4.7kΩ,1/10W
R2064		NRSA02J-473X	MG RESISTOR 47kΩ,1/10W	R3069		NRSA02J-101X	MG RESISTOR 100Ω,1/10W
R2065		NRSA02J-183X	MG RESISTOR 18kΩ,1/10W	R3071		NRSA02J-103X	MG RESISTOR 10kΩ,1/10W
R2121		QRE141J-151Y	RESISTOR 150Ω,1/4W	R3072		NRSA02J-0R0X	MG RESISTOR 0Ω,1/10W
R2202		NRSA02J-222X	MG RESISTOR 2.2kΩ,1/10W	R3073		NRSA02J-0R0X	MG RESISTOR 0Ω,1/10W
R2203		NRSA02J-222X	MG RESISTOR 2.2kΩ,1/10W	R3075		NRSA02J-471X	MG RESISTOR 470Ω,1/10W
R2204		NRSA02J-102X	MG RESISTOR 1kΩ,1/10W	R3076		NRSA02J-471X	MG RESISTOR 470Ω,1/10W
R2205		NRSA02J-102X	MG RESISTOR 1kΩ,1/10W	R3078		NRSA02J-0R0X	MG RESISTOR 0Ω,1/10W
R2206		QRE141J-101Y	RESISTOR 100Ω,1/4W	R3083		NRSA02J-0R0X	MG RESISTOR 0Ω,1/10W
R2210		NRSA02J-0R0X	MG RESISTOR 0Ω,1/10W	R3085		NRSA02J-0R0X	MG RESISTOR 0Ω,1/10W
R2211		NRSA02J-0R0X	MG RESISTOR 0Ω,1/10W	R3086		NRSA02J-0R0X	MG RESISTOR 0Ω,1/10W
R2217		NRSA02J-0R0X	MG RESISTOR 0Ω,1/10W	R3087		NRSA02J-0R0X	MG RESISTOR 0Ω,1/10W
R2218		NRSA02J-393X	MG RESISTOR 39kΩ,1/10W	R3088		NRSA02J-0R0X	MG RESISTOR 0Ω,1/10W
R2219		QRE141J-393Y	RESISTOR 39kΩ,1/4W	R3089		NRSA02J-0R0X	MG RESISTOR 0Ω,1/10W
R2222		NRSA02J-123X	MG RESISTOR 12kΩ,1/10W	R3090		NRSA02J-0R0X	MG RESISTOR 0Ω,1/10W
R2223		NRSA02J-123X	MG RESISTOR 12kΩ,1/10W	R3091		NRSA02J-102X	MG RESISTOR 1kΩ,1/10W
R2224		NRSA02J-123X	MG RESISTOR 12kΩ,1/10W	R3094		QRE141J-0R0Y	RESISTOR 0Ω,1/4W
R2226		NRSA02J-123X	MG RESISTOR 12kΩ,1/10W	R3095		QRE141J-0R0Y	RESISTOR 0Ω,1/4W
R2227		NRSA02J-223X	MG RESISTOR 22kΩ,1/10W	R3096		QRE141J-0R0Y	RESISTOR 0Ω,1/4W
R2228		NRSA02J-103X	MG RESISTOR 10kΩ,1/10W	R3097		NRSA02J-0R0X	MG RESISTOR 0Ω,1/10W
R2229		QRE141J-563Y	RESISTOR 56kΩ,1/4W	R3103		NRSA02J-0R0X	MG RESISTOR 0Ω,1/10W
R2251		NRSA02J-102X	MG RESISTOR 1kΩ,1/10W	R3105		NRSA02J-102X	MG RESISTOR 1kΩ,1/10W
R2252		NRSA02J-472X	MG RESISTOR 4.7kΩ,1/10W	R3106		NRSA02J-102X	MG RESISTOR 1kΩ,1/10W

#	△	REF No.	PART No.	PART NAME, DESCRIPTION	#	△	REF No.	PART No.	PART NAME, DESCRIPTION
R3201			NRSA02J-103X	MG RESISTOR	R5102			QRE141J-4R7Y	RESISTOR
R3202			NRSA02J-472X	MG RESISTOR	R5103			NRSA02J-681X	MG RESISTOR
R3203			NRSA02J-103X	MG RESISTOR	R5104			QRG029J-154G	OMF RESISTOR
R3204			NRSA02J-222X	MG RESISTOR	R5105			QRT01DJ-R39X	MF RESISTOR
R3205			QRE141J-181Y	RESISTOR	R5106			NRSA02J-562X	MG RESISTOR
R3206			QRE141J-183Y	RESISTOR	R5302			NRSA02J-102X	MG RESISTOR
R3207			NRSA02J-183X	MG RESISTOR	R5303			NRSA02J-122X	MG RESISTOR
R3208			NRSA02J-181X	MG RESISTOR	△ R5304			QRZ9005-221X	FUSI RESISTOR
R3209			NRSA02J-273X	MG RESISTOR	R5305			NRSA02J-471X	MG RESISTOR
R3210			NRSA02J-181X	MG RESISTOR	R5306			NRSA02J-683X	MG RESISTOR
R3211			NRSA02J-273X	MG RESISTOR	R5319			QRE141J-221Y	RESISTOR
R3212			NRSA02J-474X	MG RESISTOR	R5327			NRVA02D-303X	CMF RESISTOR
R3213			NRSA02J-334X	MG RESISTOR	R5330			NRSA02J-103X	MG RESISTOR
R3214			NRSA02J-103X	MG RESISTOR	R6020			NRSA02J-0R0X	MG RESISTOR
R3215			NRSA02J-103X	MG RESISTOR	R6021			NRSA02J-0R0X	MG RESISTOR
R3216			NRSA02J-103X	MG RESISTOR	R6022			NRSA02J-0R0X	MG RESISTOR
R3217			NRSA02J-562X	MG RESISTOR	R6030			NRSA02J-102X	MG RESISTOR
R3218			QRE141J-472Y	RESISTOR	R6031			NRSA02J-0R0X	MG RESISTOR
R3219			NRSA02J-472X	MG RESISTOR	R6032			NRSA02J-0R0X	MG RESISTOR
R3220			NRSA02J-104X	MG RESISTOR	R6050			NRSA02J-101X	MG RESISTOR
R3222			NRSA02J-472X	MG RESISTOR	R6051			NRSA02J-101X	MG RESISTOR
R3223			NRSA02J-472X	MG RESISTOR	R6052			NRSA02J-101X	MG RESISTOR
R3224			NRSA02J-472X	MG RESISTOR	R6060			NRSA02J-103X	MG RESISTOR
R3225			NRSA02J-103X	MG RESISTOR	R6061			NRSA02J-103X	MG RESISTOR
R3229			NRSA02J-105X	MG RESISTOR	R6508			NRSA02J-0R0X	MG RESISTOR
R3230			NRSA02J-472X	MG RESISTOR	R6510			NRSA02J-0R0X	MG RESISTOR
R3231			NRSA02J-102X	MG RESISTOR	R6553			QRE141J-471Y	RESISTOR
R3233			NRSA02J-103X	MG RESISTOR	R6554			QRE141J-471Y	RESISTOR
R3234			NRSA02J-103X	MG RESISTOR	C1			NCB21EK-103X	CAPACITOR
R3235			NRSA02J-332X	MG RESISTOR	C2			NCB21EK-103X	CAPACITOR
R3236			NRSA02J-332X	MG RESISTOR	C3			NCB21EK-103X	CAPACITOR
R3237			NRSA02J-103X	MG RESISTOR	C4			NCB21EK-103X	CAPACITOR
R3238			QRE141J-103Y	RESISTOR	C5			QEK0JM-337	E CAPACITOR
R3239			NRSA02J-103X	MG RESISTOR	C6			NCB11EK-104X	CAPACITOR
R3241			NRSA02J-104X	MG RESISTOR	C7			NCB21HK-102X	CAPACITOR
R3242			NRSA02J-472X	MG RESISTOR	C8			NCB21EK-104X	CAPACITOR
R3244			NRSA02J-103X	MG RESISTOR	C9			QETN1HM-225	E CAPACITOR
R3251			NRSA02J-103X	MG RESISTOR	C10			NDC21HJ-151X	CAPACITOR
R3671			NRSA02J-103X	MG RESISTOR	C11			NCB21EK-104X	CAPACITOR
R3672			NRSA02J-103X	MG RESISTOR	C14			NCB21EK-104X	CAPACITOR
R3673			NRSA02J-103X	MG RESISTOR	C15			NCB21EK-103X	CAPACITOR
R4001			NRSA02J-472X	MG RESISTOR	C16			NCB11EK-104X	CAPACITOR
R4003			NRSA02J-561X	MG RESISTOR	C17			QEKJ1HM-335	E CAPACITOR
R4004			NRSA02J-561X	MG RESISTOR	C19			QEKJ1HM-225	E CAPACITOR
R4005			NRSA02J-562X	MG RESISTOR	C20			QEKJ1HM-105	E CAPACITOR
R4007			NRSA02J-102X	MG RESISTOR	C21			NCB21EK-104X	CAPACITOR
R4008			NRSA02J-102X	MG RESISTOR	C22			QEKJ0JM-227	E CAPACITOR
R4009			NRSA02J-102X	MG RESISTOR	C23			NCB21EK-104X	CAPACITOR
R4010			NRSA02J-103X	MG RESISTOR	C24			NCB21EK-104X	CAPACITOR
R4011			NRSA02J-472X	MG RESISTOR	C25			NDC21HJ-4R0X	CAPACITOR
R4012			NRSA02J-222X	MG RESISTOR	C26			NCB21EK-104X	CAPACITOR
R4013			NRSA02J-102X	MG RESISTOR	C27			NCB21HK-223X	CAPACITOR
R4014			NRSA02J-0R0X	MG RESISTOR	C28			QEKJ1HM-335	E CAPACITOR
R4015			NRSA02J-223X	MG RESISTOR	C29			NCB21EK-333X	CAPACITOR
R4016			NRSA02J-103X	MG RESISTOR	C30			NCB21CK-474X	CAPACITOR
R4017			NRSA02J-102X	MG RESISTOR	C31			QEKJ0JM-107	E CAPACITOR
R4018			NRSA02J-102X	MG RESISTOR	C32			QCBB1HK-103	CAPACITOR
R4019			NRSA02J-103X	MG RESISTOR	C33			QEKJ1HM-225	E CAPACITOR
R4020			NRSA02J-103X	MG RESISTOR	C34			NCB21EK-104X	CAPACITOR
R4021			NRSA02J-103X	MG RESISTOR	C35			NCB21HK-103X	CAPACITOR
R5101			QRG02GJ-104	OMF RESISTOR	C36			QEKJ1EM-475	E CAPACITOR
									4.7Ω,1/4W
									680Ω,1/10W
									150kΩ,2W
									0.39Ω,1W
									5.6kΩ,1/10W
									1kΩ,1/10W
									1.2kΩ,1/10W
									220Ω,1/4W
									470Ω,1/10W
									68kΩ,1/10W
									220Ω,1/4W
									30kΩ,1/10W
									10kΩ,1/10W
									0Ω,1/10W
									0Ω,1/10W
									0Ω,1/10W
									1kΩ,1/10W
									0Ω,1/10W
									0Ω,1/10W
									100Ω,1/10W
									100Ω,1/10W
									100Ω,1/10W
									10kΩ,1/10W
									10kΩ,1/10W
									0Ω,1/10W
									470Ω,1/4W
									470Ω,1/4W
									0.01μF,25V
									0.01μF,25V
									0.01μF,25V
									0.01μF,25V
									E CAPACITOR
									330μF,6.3V
									0.1μF,25V
									0.001μF,50V
									0.1μF,25V
									2.2μF,50V
									150pF,50V
									0.1μF,25V
									0.1μF,25V
									0.01μF,25V
									0.1μF,25V
									E CAPACITOR
									3.3μF,50V
									2.2μF,50V
									E CAPACITOR
									1μF,50V
									0.1μF,25V
									E CAPACITOR
									220μF,6.3V
									0.1μF,25V
									0.1μF,25V
									0.1μF,25V
									E CAPACITOR
									2.2μF,50V
									0.033μF,25V
									0.47μF,16V
									E CAPACITOR
									100μF,6.3V
									0.01μF,50V
									E CAPACITOR
									2.2μF,50V
									0.1μF,25V
									0.01μF,50V
									4.7μF,25V

#	△ REF No.	PART No.	PART NAME, DESCRIPTION	#	△ REF No.	PART No.	PART NAME, DESCRIPTION
C37		NCB21AK-105X	CAPACITOR 1μF,10V	C2215		QERF1EM-475	E CAPACITOR 4.7μF,25V
C38		QEKJ0JM-337	E CAPACITOR 330μF,6.3V	C2217		QEKJ1CM-106	E CAPACITOR 10μF,16V
C39		NCB21EK-104X	CAPACITOR 0.1μF,25V	C2219		QEKJ1CM-106	E CAPACITOR 10μF,16V
C40		QEKJ1CM-106	E CAPACITOR 10μF,16V	C2220		QEKJ1EM-475	E CAPACITOR 4.7μF,25V
C45		QCFB1HZ-104	CAPACITOR 0.1μF,50V	C2221		NCB21HK-103X	CAPACITOR 0.01μF,50V
C53		NDC21HJ-101X	CAPACITOR 100pF,50V	C2222		QEKJ1HM-474	E CAPACITOR 0.47μF,50V
C54		NDC21HJ-101X	CAPACITOR 100pF,50V	C2223		QEKJ1HM-474	E CAPACITOR 0.47μF,50V
C56		NCB21CK-124X	CAPACITOR 0.12μF,16V	C2224		NCB21HK-103X	CAPACITOR 0.01μF,50V
C59		NCB21EK-104X	CAPACITOR 0.1μF,25V	C2225		QEKJ1EM-475	E CAPACITOR 4.7μF,25V
C60		QEKJ0JM-227	E CAPACITOR 220μF,6.3V	C2226		QEKJ1CM-106	E CAPACITOR 10μF,16V
C61		NCB21HK-103X	CAPACITOR 0.01μF,50V	C2227		NCB21CK-104X	CAPACITOR 0.1μF,16V
C63		NCB21EK-104X	CAPACITOR 0.1μF,25V	C2228		NCB21CK-104X	CAPACITOR 0.1μF,16V
C64		NDC21HJ-180X	CAPACITOR 18pF,50V	C2229		NDC21HJ-101X	CAPACITOR 100pF,50V
C65		QEKJ1HM-105	E CAPACITOR 1μF,50V	C2230		NDC21HJ-101X	CAPACITOR 100pF,50V
C69		NCB21EK-104X	CAPACITOR 0.1μF,25V	C2251		QEKJ1CM-476	E CAPACITOR 47μF,16V
C70		NCB21EK-104X	CAPACITOR 0.1μF,25V	C2252		NCB21HK-103X	CAPACITOR 0.01μF,50V
C72		NDC21HJ-470X	CAPACITOR 47pF,50V	C2253		NCB21CK-104X	CAPACITOR 0.1μF,16V
C73		NDC21HJ-120X	CAPACITOR 12pF,50V	C2254		NCB21CK-104X	CAPACITOR 0.1μF,16V
C80		NCB21HK-103X	CAPACITOR 0.01μF,50V	C2255		NDC21HJ-181X	CAPACITOR 180pF,50V
C84		NRSA02J-682X	MG RESISTOR 6.8kΩ,1/10W	C3001		NCB21EK-104X	CAPACITOR 0.1μF,25V
C93		NDC21HJ-220X	CAPACITOR 22pF,50V	C3002		NCB21HK-103X	CAPACITOR 0.01μF,50V
C94		NRSA02J-0R0X	MG RESISTOR 0Ω,1/10W	C3003		QEKJ1CM-106	E CAPACITOR 10μF,16V
C95		NRSA02J-0R0X	MG RESISTOR 0Ω,1/10W	C3004		NCB21EK-104X	CAPACITOR 0.1μF,25V
C103		NCB21HK-103X	CAPACITOR 0.01μF,50V	C3008		NCB21HK-102X	CAPACITOR 0.001μF,50V
C106		NCB21HK-821X	CAPACITOR 820pF,50V	C3011		QETL0JM-338	E CAPACITOR 3300μF,6.3V
C108		NDC21HJ-680X	CAPACITOR 68pF,50V	C3012		QEKJ0JM-107	E CAPACITOR 100μF,6.3V
C109		NCB21CK-224X	CAPACITOR 0.22μF,16V	C3015		NCB21EK-104X	CAPACITOR 0.1μF,25V
C110		NDC21HJ-820X	CAPACITOR 82pF,50V	C3016		NCB21EK-104X	CAPACITOR 0.1μF,25V
C112		NDC21HJ-150X	CAPACITOR 15pF,50V	C3022		NCB21EK-104X	CAPACITOR 0.1μF,25V
C113		NDC21HJ-181X	CAPACITOR 180pF,50V	C3024		NDC21HJ-220X	CAPACITOR 22pF,50V
C114		NDC21HJ-181X	CAPACITOR 180pF,50V	C3025		QAT3725-300Z	TRIM CAPACITOR,TIMER CLOCK
C2001		QETN1HM-475	E CAPACITOR 4.7μF,50V	C3026		NCB21HK-103X	CAPACITOR 0.01μF,50V
C2002		QEKJ1CM-106	E CAPACITOR 10μF,16V	C3027		NBE20JM-106X	T CAPACITOR 10μF,6.3V
C2003		QEKJ0JM-476	E CAPACITOR 47μF,6.3V	C3030		NBE20JM-226X	T CAPACITOR 22μF,6.3V
C2004		NCB21HK-103X	CAPACITOR 0.01μF,50V	C3031		NCB21EK-104X	CAPACITOR 0.1μF,25V
C2005		QEKJ1EM-475	E CAPACITOR 4.7μF,25V	C3032		NCB21EK-104X	CAPACITOR 0.1μF,25V
C2006		NCB21HK-123X	CAPACITOR 0.012μF,50V	C3033		NCB21EK-104X	CAPACITOR 0.1μF,25V
C2007		QEKJ1CM-226	E CAPACITOR 22μF,16V	C3036		NDC21HJ-180X	CAPACITOR 18pF,50V
C2008		QERF1EM-475	E CAPACITOR 4.7μF,25V	C3037		NDC21HJ-120X	CAPACITOR 12pF,50V
C2009		NCB21HK-102X	CAPACITOR 0.001μF,50V	C3040		QDYB1CM-103Y	CAPACITOR 0.01μF,16V
C2010		NCB21HK-152X	CAPACITOR 0.0015μF,50V	C3602		NCB21EK-104X	CAPACITOR 0.1μF,25V
C2011		QEKJ1EM-475	E CAPACITOR 4.7μF,25V	C3652		NCB21EK-104X	CAPACITOR 0.1μF,25V
C2012		QEKJ1EM-475	E CAPACITOR 4.7μF,25V	C4002		NCB21EK-104X	CAPACITOR 0.1μF,25V
C2013		NCB21HK-331X	CAPACITOR 330pF,50V	C4003		NCB21HK-102X	CAPACITOR 0.001μF,50V
C2051		NCB21HK-331X	CAPACITOR 330pF,50V	C4004		NBE20JM-226X	T CAPACITOR 22μF,6.3V
C2061		QFLC1HJ-333Z	F CAPACITOR 0.033μF,50V	C4005		NCB21HK-222X	CAPACITOR 0.0022μF,50V
C2062		NCB21HK-332X	CAPACITOR 0.0033μF,50V	C4006		NBE40JM-476X	T CAPACITOR 47μF,6.3V
C2063		NCB21HK-103X	CAPACITOR 0.01μF,50V	C4007		NCB21HK-102X	CAPACITOR 0.001μF,50V
C2064		QEKJ1CM-106	E CAPACITOR 10μF,16V	C4008		NCB21AK-105X	CAPACITOR 1μF,10V
C2201		NCB21EK-104X	CAPACITOR 0.1μF,25V	C4009		NCB21HK-563X	CAPACITOR 0.056μF,50V
C2202		NCB21EK-333X	CAPACITOR 0.033μF,25V	C4010		NCB21EK-223X	CAPACITOR 0.022μF,25V
C2203		QEKJ1CM-106	E CAPACITOR 10μF,16V	C4011		NCB21EK-104X	CAPACITOR 0.1μF,25V
C2204		QDGB1HK-102Y	CAPACITOR 0.001μF,50V	C4012		NCB21EK-224X	CAPACITOR 0.22μF,25V
C2205		QEKJ1HM-105	E CAPACITOR 1μF,50V	C4013		NCB21HK-563X	CAPACITOR 0.056μF,50V
C2206		QEKJ1CM-106	E CAPACITOR 10μF,16V	C4014		NDC21HJ-101X	CAPACITOR 100pF,50V
C2207		QEKJ1CM-476	E CAPACITOR 47μF,16V	C4015		NCB21HK-102X	CAPACITOR 0.001μF,50V
C2208		QETN1HM-475	E CAPACITOR 4.7μF,50V	△ C5001		QFZ9073-683	F CAPACITOR 0.068μF,250V
C2209		QERF1HM-104	E CAPACITOR 0.1μF,50V	△ C5004		QCZ9071-222	CAPACITOR 0.0022μF,250V
C2210		QEKJ1HM-104	E CAPACITOR 0.1μF,50V	C5006		QEZ0375-826	E CAPACITOR 82μF,400V
C2211		QERF1HM-105	E CAPACITOR 1μF,50V	C5101		QCZ0212-472	CAPACITOR 0.0047μF,1kV
C2212		QEKJ1HM-105	E CAPACITOR 1μF,50V	C5102		QEMU1VM-276	E CAPACITOR 27μF,35V



#	△ REF No.	PART No.	PART NAME, DESCRIPTION
C5103		QCZ0302-330Z	CAPACITOR 33pF,1kV
C5104		QFLC1HJ-471Z	F CAPACITOR 470pF,50V
C5201		QEMU0JM-227	E CAPACITOR 220μF,6.3V
C5202		QEMT1CM-827	E CAPACITOR 820μF,16V
C5203		QEMT1AM-128	E CAPACITOR 1200μF,10V
C5204		QETN2AM-475	E CAPACITOR 4.7μF,100V
C5205		QETN1HM-106	E CAPACITOR 10μF,50V
C5207		QETN1CM-227	E CAPACITOR 220μF,16V
C5208		QETN1AM-227	E CAPACITOR 220μF,10V
C5213		QEMU0JM-227	E CAPACITOR 220μF,6.3V
C5301		QETM0JM-108	E CAPACITOR 1000μF,6.3V
C5303		QETN1CM-107	E CAPACITOR 100μF,16V
C5304		QFVF1HJ-274Z	F CAPACITOR 0.27μF,50V
C5305		NCB21HK-103X	CAPACITOR 0.01μF,50V
C5306		QEKJ0JM-107	E CAPACITOR 100μF,6.3V
C5307		QEKJ0JM-476	E CAPACITOR 47μF,6.3V
C6006		NCB21HK-103X	CAPACITOR 0.01μF,50V
C6007		QETN1AM-477	E CAPACITOR 470μF,10V
C6008		NCB21HK-103X	CAPACITOR 0.01μF,50V
C6012		QEKJ1CM-107	E CAPACITOR 100μF,16V
C6013		NCB21HK-103X	CAPACITOR 0.01μF,50V
C6014		NCB21HK-103X	CAPACITOR 0.01μF,50V
C6016		NCB21HK-103X	CAPACITOR 0.01μF,50V
C6023		NCB21HK-103X	CAPACITOR 0.01μF,50V
C6033		NRSA02J-0R0X	MG RESISTOR 0Ω,1/10W
C6037		NBE20JM-106X	T CAPACITOR 10μF,6.3V
C6055		NDC21HJ-220X	CAPACITOR 22pF,50V
C6555		NDC21HJ-1R0X	CAPACITOR 1pF,50V
L1		QQL29BJ-100Z	COIL 10μH
L3		QQL29BJ-100Z	COIL 10μH
L4		QQL29BJ-100Z	COIL 10μH
L5		QQR0657-019Z	NOISE FILTER
L11		QQL01BJ-120Z	COIL 12μH
L13		QQL071J-330Y	COIL 33μH
L15		QQL29BJ-100Z	COIL 10μH
L17		QQL071J-5R6Y	COIL 5.6μH
L18		QQL071J-220Y	COIL 22μH
L19		QQL071J-120Y	COIL 12μH
L20		QQL071J-680Y	COIL 68μH
L24		QQL071J-270Y	COIL 27μH
L27		QQL071J-330Y	COIL 33μH
L28		QQL071J-680Y	COIL 68μH
L2251		QQL29BJ-100Z	COIL 10μH
L2252		QQL29BJ-151Z	COIL 150μH
L5201		PELN1184	COIL 33μH
L5202		PU60944-330K	COIL 33μH
L6002		QQL29BJ-100Z	COIL 10μH
L6004		QQL29BJ-100Z	COIL 10μH
L6005		QQL29BJ-100Z	COIL 10μH
L6031		NRSA02J-0R0X	MG RESISTOR 0Ω,1/10W
X1		QAX0576-001	CRYSTAL RESONATOR
X2		QAX0575-001	CRYSTAL RESONATOR
X3001		QAX0445-001	CRYSTAL RESONATOR
X3002		QAX0527-001	CRYSTAL RESONATOR
S3002		QSW0695-001	PUSH SWITCH,S CASS SW
K2251		NRSA02J-0R0X	MG RESISTOR 0Ω,1/10W
K2252		NRSA02J-0R0X	MG RESISTOR 0Ω,1/10W
K2253		NRSA02J-0R0X	MG RESISTOR 0Ω,1/10W
K5101		QQR0678-001Z	FERRITE BEAD
PC3001		GP3S123	IC(PHOTO SENSOR)
PC3002		GP3S123	IC(PHOTO SENSOR)

#	△ REF No.	PART No.	PART NAME, DESCRIPTION
△	PC5101	PC123F2	PH COUPLER
	T2052	PELN0861	OSC TRANSFORMER
△	T5001	QQS0052-001	SW TRANSFORMER
	TU6001	QAU0111-001	TUNER
	ET1	PQ21623-1-5	EARTH PLATE(RF)
	ET2	LP40658-001B	EARTH PLATE(1)
	HS1	LP40621-001A	HEAT SINK,IC5101
	SD1	LP30720-001A	SHIELD CASE(PRE/REC)
	OT1	QYTDSF3010Z	SCREW,X2
	OT5	PU59915-105	#500SPACER0.01,C45
	OT7	QYTDST3008Z	SCREW,IC5101
	WR101	QRE141J-0R0	RESISTOR,M/I 0Ω,1/4W
	FC5001	QNG0006-001Z	FUSE CLIP,F5001
	FC5002	QNG0006-001Z	FUSE CLIP,F5001
△	LF5002	QQR0532-001	LINE FILTER
	CN1	QGF1028C1-11	FPC CONNECTOR,(4-14)U.DRUM
	CN901	QGF1207C1-04	FPC CONNECTOR,(1-4)FRONT S IN
	CN902	QGF1207C1-05	FPC CONNECTOR,(1-5)F_IN
	CN903	QGB2024K1-12S	CONNECTOR,(1-12)TERMINAL
	CN904	QGB2024K1-12S	CONNECTOR,(1-12)TERMINAL
	CN905	QGB2024K1-05S	CONNECTOR,(1-5)TERMINAL
	CN907	QGB2024K1-10S	CONNECTOR,(1-10)TERMINAL
	CN2001	QGF1207C1-07	FPC CONNECTOR,(1-7)A/C HEAD
	CN2002	QGB2532J1-02	CONNECTOR,(1-2)FE HEAD
	CN2051	QGB2024K1-04S	CONNECTOR,(1-4)AUDIO ERASE
	CN3001	QGF1207C1-05	FPC CONNECTOR,(1-5)DRUM MDA
	CN3002	QGB2532J1-02	CONNECTOR,(1-2)LOADING MOTOR
	CN3003	QGB2015M2-08	CONNECTOR,(1-8)CAPSTAN MOTOR
	CN3004	QGB2534J2-04	CONNECTOR,(1-4)ROTARY ENCODER
	CN3011	QGF1207C1-14	FPC CONNECTOR,(1-14)FRONT
	CN3012	QGF1207C1-06	FPC CONNECTOR,(1-6)JOG
△	CN5001	QGA7901C3-02	CONNECTOR,(1-2)AC IN
△	CP4001	ICP-N25	CIRCUIT PROTECTOR
△	CP5301	ICP-N38	CIRCUIT PROTECTOR
△	CP5302	ICP-N25	CIRCUIT PROTECTOR
△	F5001	QMF51E2-2R0J1	FUSE T2.0A,AC250V

\*\*\*\*\*

**TERMINAL BOARD ASSEMBLY <06>**

PW1	LPA10101-11A	TERMINAL BOARD ASSY
IC201	LC74789N-9795	IC (OSD)
Q201	2SC4081/QRS/-X	TRANSISTOR
	or 2PC4081/R/-X	TRANSISTOR
Q202	2SA1576A/QR/-X	TRANSISTOR
	or 2PA1576/R/-X	TRANSISTOR
Q901	2SA1576A/QR/-X	TRANSISTOR
	or 2PA1576/R/-X	TRANSISTOR
Q903	2SA1576A/QR/-X	TRANSISTOR
	or 2PA1576/R/-X	TRANSISTOR
Q904	2SA1576A/QR/-X	TRANSISTOR
	or 2PA1576/R/-X	TRANSISTOR
D201	1SS133	DIODE
D202	1SS133	DIODE
D203	1SS133	DIODE
R201	NRSA02J-0R0X	MG RESISTOR 0Ω,1/10W

#	△ REF No.	PART No.	PART NAME, DESCRIPTION
R202		NRSA02J-103X	MG RESISTOR 10kΩ,1/10W
R203		NRSA02J-103X	MG RESISTOR 10kΩ,1/10W
R204		NRSA02J-103X	MG RESISTOR 10kΩ,1/10W
R208		NRSA02J-0R0X	MG RESISTOR 0Ω,1/10W
R213		NRSA02J-0R0X	MG RESISTOR 0Ω,1/10W
R214		NRSA02J-103X	MG RESISTOR 10kΩ,1/10W
R216		NRSA02J-103X	MG RESISTOR 10kΩ,1/10W
R218		NRSA02J-0R0X	MG RESISTOR 0Ω,1/10W
R220		NRSA02J-0R0X	MG RESISTOR 0Ω,1/10W
R224		NRSA02J-470X	MG RESISTOR 47Ω,1/10W
R225		NRSA02J-331X	MG RESISTOR 330Ω,1/10W
R226		NRSA02J-331X	MG RESISTOR 330Ω,1/10W
R901		NRSA02J-750X	MG RESISTOR 75Ω,1/10W
R904		QRE123J-331X	RESISTOR 330Ω,1/2W
R905		NRSA02J-101X	MG RESISTOR 100Ω,1/10W
R911		NRSA02J-750X	MG RESISTOR 75Ω,1/10W
R914		NRSA02J-750X	MG RESISTOR 75Ω,1/10W
R915		NRSA02J-750X	MG RESISTOR 75Ω,1/10W
R916		NRSA02J-750X	MG RESISTOR 75Ω,1/10W
R917		NRSA02J-750X	MG RESISTOR 75Ω,1/10W
R919		QRE123J-331X	RESISTOR 330Ω,1/2W
R920		NRSA02J-101X	MG RESISTOR 100Ω,1/10W
R921		NRSA02J-101X	MG RESISTOR 100Ω,1/10W
R922		QRE123J-331X	RESISTOR 330Ω,1/2W
R935		NRSA02J-100X	MG RESISTOR 10Ω,1/10W
R941		NRSA02J-0R0X	MG RESISTOR 0Ω,1/10W
R942		NRSA02J-101X	MG RESISTOR 100Ω,1/10W
R943		NRSA02J-101X	MG RESISTOR 100Ω,1/10W
R947		NRSA02J-221X	MG RESISTOR 220Ω,1/10W
R948		NRSA02J-221X	MG RESISTOR 220Ω,1/10W
△ R949		QRE141J-102Y	RESISTOR 1kΩ,1/4W
C201		QEKJ0JM-107	E CAPACITOR 100μF,6.3V
C204		NCB21HK-103X	CAPACITOR 0.01μF,50V
C206		NDC21HJ-330X	CAPACITOR 33pF,50V
C207		NDC21HJ-330X	CAPACITOR 33pF,50V
C209		NCB21CK-224X	CAPACITOR 0.22μF,16V
C214		NCB21CK-224X	CAPACITOR 0.22μF,16V
C217		NDC21HJ-560X	CAPACITOR 56pF,50V
C218		NCB21AK-105X	CAPACITOR 1μF,10V
C222		NCB21AK-105X	CAPACITOR 1μF,10V
C223		NDC21HJ-680X	CAPACITOR 68pF,50V
C225		NCB21HK-103X	CAPACITOR 0.01μF,50V
C902		QETJ0JM-477	E CAPACITOR 470μF,6.3V
C903		QEKJ1CM-107	E CAPACITOR 100μF,16V
C904		NCB21HK-103X	CAPACITOR 0.01μF,50V
C911		NRSA02J-0R0X	MG RESISTOR 0Ω,1/10W
C912		NCB21HK-103X	CAPACITOR 0.01μF,50V
C914		QETJ0JM-477	E CAPACITOR 470μF,6.3V
C918		NCB21HK-103X	CAPACITOR 0.01μF,50V
L201		QQL29BJ-100Z	COIL 10μH
L203		QQL231J-220Y	COIL 22μH
L206		QQL071J-220Y	COIL 22μH
L901		QQL29BJ-100Z	COIL 10μH
△ TB1		LP30716-009A	TERMINAL BOARD ASSY
OT1		QYTDSF3008Z	SCREW,X5
BT901		QNZ0032-001	BATTERY HOLDER
J901		QND0009-001	S JACK,S1 IN
J903		QND0009-001	S JACK,S1 OUT
J905		QNN0364-002	PIN JACK,VLR IN
J911		QNN0363-002	PIN JACK,VLR OUT
J926		PU60659	MINI JACK,R.PAUSE

#	△ REF No.	PART No.	PART NAME, DESCRIPTION
CN911		QGF1208F1-14	FPC CONNECTOR,(1-14)S_SUB
CN913		QGB2024J1-12S	CONNECTOR,(1-12)MAIN
CN914		QGB2024J1-12S	CONNECTOR,(1-12)MAIN
CN915		QGB2024J1-05S	CONNECTOR,(1-5)MAIN
CN917		QGB2024J1-10S	CONNECTOR,(1-10)MAIN

\*\*\*\*\*

**AUDIO ERASE BOARD ASSEMBLY <46>**

PW2	LPA10106-02A2	AUDIO ERASE BOARD ASSY
Q2051	2SC4081/QRS/-X	TRANSISTOR
	or 2PC4081/R/-X	TRANSISTOR
	or 2SD1819A/QRS/-X	TRANSISTOR
R2054	NRSA02J-153X	MG RESISTOR 15kΩ,1/10W
R2055	NRSA02J-3R3X	MG RESISTOR 3.3Ω,1/10W
C2052	QFLC1HJ-333Z	F CAPACITOR 0.033μF,50V
C2053	NCB21HK-332X	CAPACITOR 0.0033μF,50V
C2054	NCB21HK-103X	CAPACITOR 0.01μF,50V
C2055	QEKJ1CM-106	E CAPACITOR 10μF,16V
T2051	PELN0860	OSC TRANSFORMER
CN2052	QGB2024J1-04S	CONNECTOR,(1-4)MAIN

